



Schottky Rectifier

Features

- Ideal for automated placement
- Low power losses
- High forward surge capability

Typical Applications

For use in lighting, fast switching rectification of power suppliers, inverters, converters, and freewheeling diodes for consumer, automotive, and telecommunication.

Mechanical Data

Package: TO-277

Molding compound meets UL 94 V-0 flammability rating, RoHS-compliant, Halogen free

Terminals: Tin plated leads, solderable per J-STD-002 and JESD22-B102

Maximum Ratings (T_a=25 Unless otherwise specified)

PARAMETER	SYMBOL	UNIT	SS8U100
Device marking code			SS8U100
Repetitive Peak Reverse Voltage	V _{RRM}	V	100
Average Rectified Output Current @60Hz -sine wave, R- load, T _c =110	I _O	A	8
Forward Surge Current (Non-repetitive) @ 60Hz Half-sine wave, 1 cycle, T _a =25	I _{FSM}	A	150
Current Squared Time @1ms t 8.3ms T _j =25	I ² t	A ² s	93
Storage Temperature	T _{stg}		-55 ~+150
Junction Temperature	T _j		-55 ~+150

Electrical Characteristics T_a=25 Unless otherwise specified

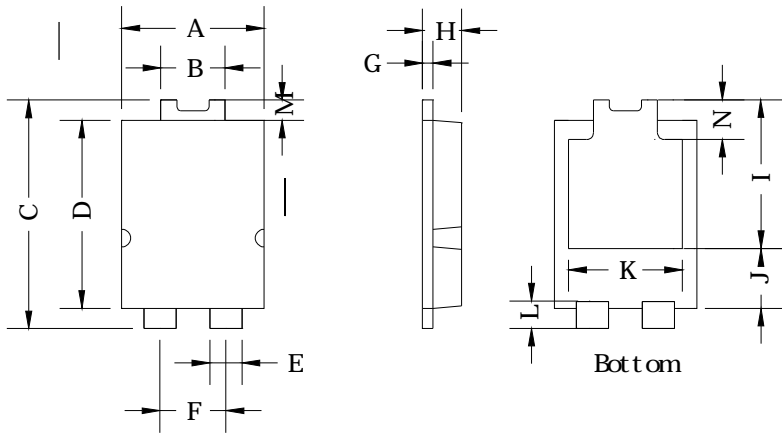
PARAMETER	SYMBOL	UNIT	TEST CONDITIONS	Min	Typ	Max
Peak Forward Voltage	V _{FM}	V	I _{FM} =8.0A, T _j =25	-	0.55	0.65
			I _{FM} =8.0A, T _j =125	-	0.50	0.58
Reverse Breakdown Voltage	V _{BR}	V	I _R =0.5mA	100	-	-
Leakage Current	I _R	mA	V _R =100V T _j =25	-	-	0.5
			V _R =100V T _j =100	-	-	50

Note1:Pulse test:300uS pulse width,1% duty cycle

Note2:Pulse test:pulse width 40mS



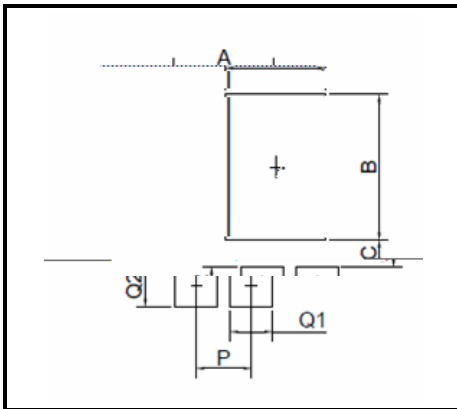
Outline Dimensions



TO-277		
Dim	Min(mm)	Max(mm)
A	3.90	4.10
B	1.70	1.90
C	6.40	6.60
D	5.30	5.50

M1.5. % B. 5. . 0

Suggested pad layout



DIM	MIN.(mm)
A	3.36
B	4.86
C	0.85
P	1.84
Q1	1.40
Q2	1.40



Disclaimer

The information presented in this document is for reference only. Yangzhou Yangjie Electronic Technology Co., Ltd. reserves the right to make changes without notice for the specification of the products displayed herein to improve reliability, function or design or otherwise.

The product listed herein is designed to be used with ordinary electronic equipment or devices, and not designed to be used with equipment or devices which require high level of reliability and the malfunction of which would directly endanger human life (such as medical instruments, transportation equipment, aerospace machinery, nuclear-reactor controllers, fuel controllers and other safety devices), Yangjie or anyone on its behalf, assumes no responsibility or liability for any damages resulting from such improper use of sale.

This publication supersedes & replaces all information previously supplied. For additional information, please visit our website [http:// www.21yangjie.com](http://www.21yangjie.com) , or consult your nearest Yangjie's sales office for further assistance.