

0 HFKDQLFDO 'DWD

" 3DFNDJH

0ROGLQJ FRPSRXQG9PHHWPBDELOLW\ UDWLQJ

5R+6 FRPSOLDQW +DORJHQ IUHH

" 7HUPLOLQVSODWHG OHDGV VROGHUDEOH SHU

- 67' DQG -(6' %

v0D[LPXP 5DWDQJVV8QOHVV RWKHUZLVH VSHFLILHG

|             |        |
|-------------|--------|
| 3\$5\$0(7(5 | 6<0%2/ |
|-------------|--------|

|                                       |      |      |   |
|---------------------------------------|------|------|---|
|                                       | )60  | \$   |   |
| &XUUHQW 6TXDUHG 7LPH<br># PV"W" PV 7M | ,W   | \$ V |   |
| 6WRUDJH 7HPSHUDWXUH                   | 7vwj |      | a |
| -XQFWLRQ 7HPSHUDWXUH                  | 7M   |      | a |

v(OHFWULFDO &KDJDJDFW8QOHVV RWKHUZLVH VSHFLILHG

|             |       |      |                |     |
|-------------|-------|------|----------------|-----|
| 3\$5\$0(7(5 | 6<0%2 | 81,7 | 7(67 &21',7,21 | 0LQ |
|-------------|-------|------|----------------|-----|

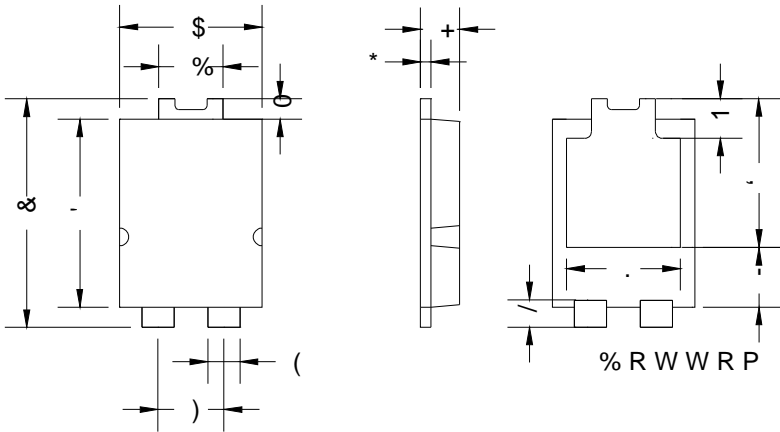
|                            |    |        |         |  |  |
|----------------------------|----|--------|---------|--|--|
|                            |    |        |         |  |  |
| 5HYHUVH %UHDNGRZQ 9RQW DJH | 95 | 99 P\$ |         |  |  |
| /HDNDJH &XUUHQW            | 5  | P\$ ,  | 95 9É7M |  |  |
|                            |    |        | 95 9É7M |  |  |



v7KHUPDO &KDUDTWHUHQWV RWKHUZLVH VSHFLILHG

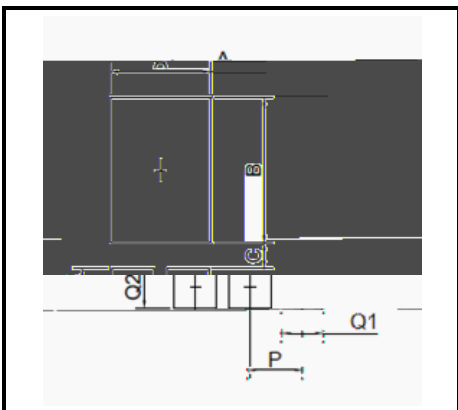
|             |        |      |
|-------------|--------|------|
| 3\$5\$0(7(5 | 6<0%2/ | 81,7 |
|-------------|--------|------|

v 2XWOLQH 'LPHQVLRQV



| 7 2   |           |         |
|-------|-----------|---------|
| ' L P | 0 L Q P P | Ø P D [ |
| \$    |           |         |
| %     |           |         |
| &     |           |         |
| '     |           |         |
| (     |           |         |
| )     | U H I     |         |
| *     |           |         |
| +     |           |         |
| ,     |           |         |
| -     |           |         |
| .     |           |         |
| /     |           |         |

v 6XJJHVWHG SDG OD\RXW



| ' , 0 | 0 , 1 P P |
|-------|-----------|
| \$    |           |
| %     |           |
| &     |           |
| 3     |           |
| 4     |           |
| 4     |           |



'LVFODLPHU

7KH LQIRUPDWLRQ V GHVFHQWV LQ WKH UDQGHU JKRQF HDUHQ OZH FHOHQVUR QLF /VHG UHV  
ULJKW WR PDNLHWKRXW IRU VSHFIRU RYVSLRQG FFWV GLV FSDUHYGHKUHUGLDEWGLV L JQQ F  
RU RWKHU ZLVH

7KH SURGXFW OLVGHG IJHGH WR EH HOHHGWZLRQK R UG XQSURHQW RU GHYLFHW KDQG Q  
HTXLSPHQW RU GHYLFHV ZKLFK UHTXLWKHEDIO IZLWOL RQXIHGDEHGHUWK DFKQDOLIH  
PHGLFDO LQVWUXOMSRUWHDQWL RQHUTXLSHGH QDFKHODU UHDFWRHU FFRQWURROOHUW DQ  
GHYLFHV <DQJMLHVRV DFKBQH DQVXPLV QR RWHO SRELVQIEW HVRO VDIQ JGIDRPPXMF K LP  
RI VDOH

7KLV SXEOLFDFWRQ SVXSHUW DGHVLQURQV D XLSRQ LSGHYRUR XDG GLWLRQDO LQWRUPDWLR  
KW [VZ](#) [\DQJMLHRFR](#) FRQVXOW \RXU QHDUHVW <DQJMLVHVDQVDFHOHV RILFH IRU IXUW