



MURIS860UC

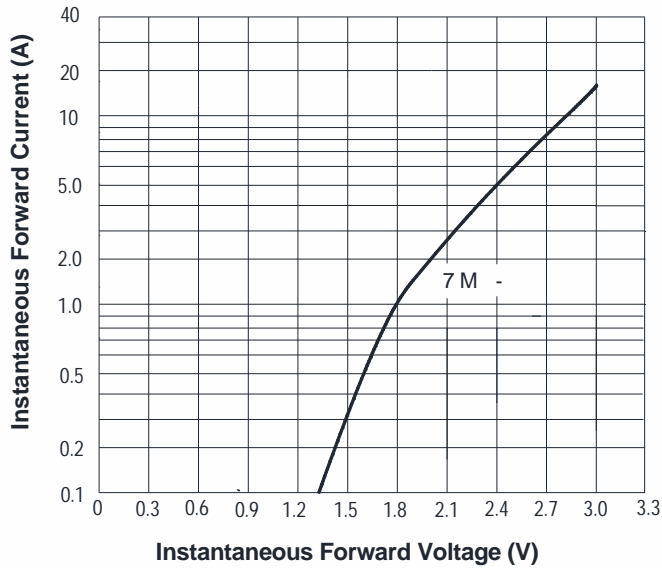
Electrical Characteristics

PARAMETER	SYMBOL	UNIT	TEST CONDITIONS	Min	Typ	Max
IRUZDUG _{9,0} YRQWDJH ₉ G ₀ URS \$ #7M -						
SHU GLRGH			₀ \$ #7M -			0

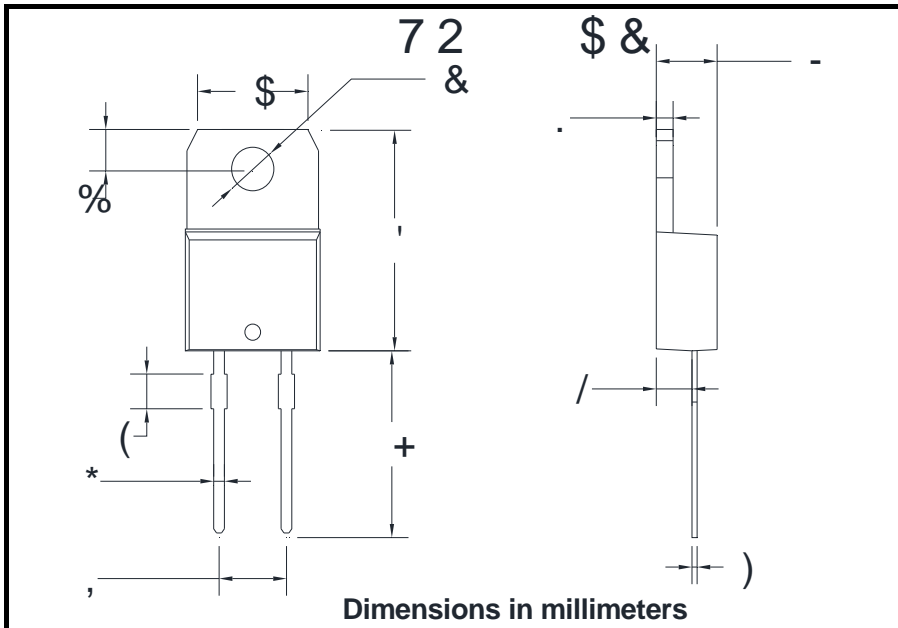


MURIS860UC

FIG3: Forward Voltage



Outline Dimensions



TO-220AC		
' LP	0 LQ	0 D
\$		
%		
&		
,		
(
)		
*		
+		
,	% 6 &	
-		
.		
/		

