

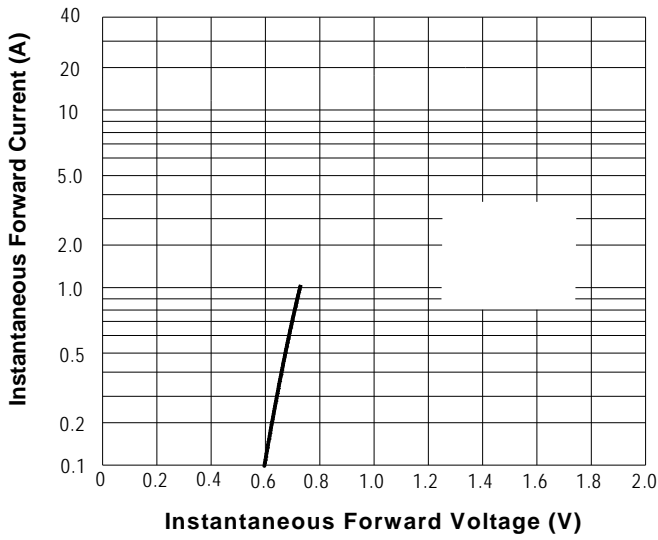


### Maximum Ratings (T<sub>j</sub>=25 °C Unless otherwise specified)

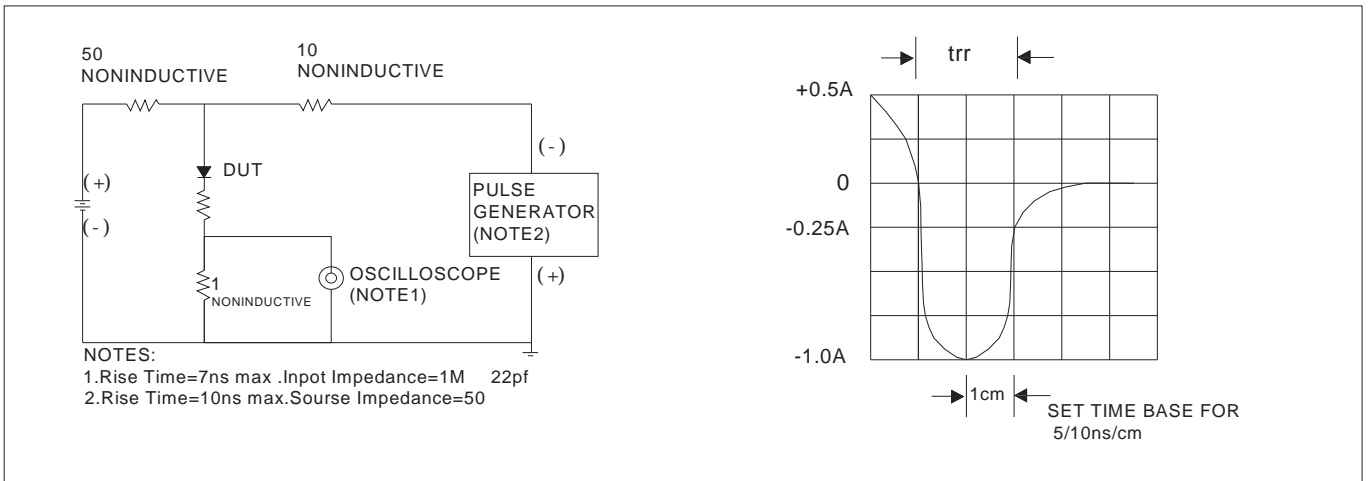
PARAMETER	SYMBOL	UNIT	MUR2020CT
Device marking code			MUR2020CT
Repetitive Peak Reverse Voltage	V <sub>RRM</sub>	V	200
Average Rectified Output Current @60Hz sine wave, R-load, T <sub>c</sub> (FIG.1)	I <sub>O</sub>	A	20
Surge(Non-repetitive)Forward Current @60Hz half sine-wave, 1 cycle, T <sub>j</sub> =25	I <sub>FSM</sub>	A	120
Current Squared Time @1ms t 8.3ms T <sub>j</sub> =25	I <sup>2</sup> t	A <sup>2</sup> s	60
Storage Temperature	T <sub>stg</sub>		-55 ~ +175
Junction Temperature	T <sub>j</sub>		-55 ~ +175
Typical Junction capacitance @4V,1MHz	C <sub>j</sub>	pF	150



**FIG3: Forward Voltage**



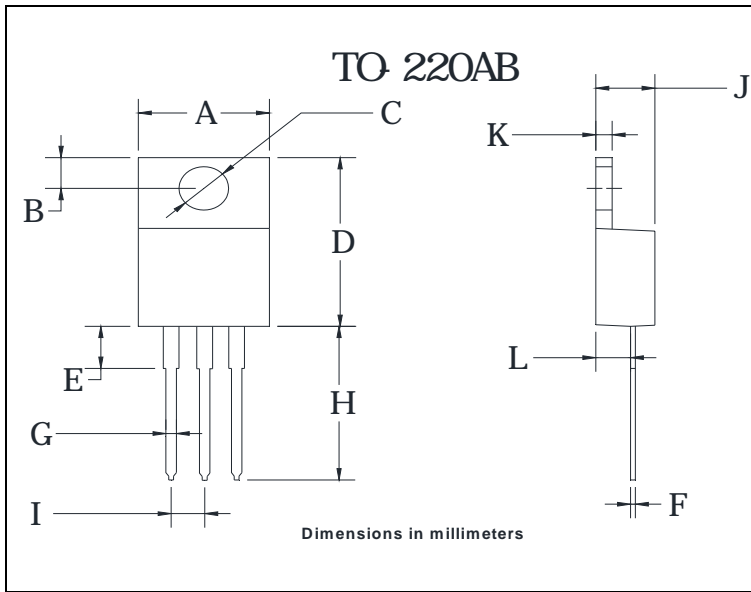
**FIG.5: Diagram of circuit and Testing wave form of reverse recovery time**





# MUR2020CT

## Outline Dimensions



TO-220AB		
Dim	Min	Max
A	9.95	10.35
B	2.55	2.95
C	3.8	4.0
D	14.95	15.25
E	3.75	4.25
F	0.26	0.5
G	0.68	0.94
H	13.4	13.9
I	2.35	2.65
J	4.38	4.78
K	1.14	1.4
L	2.37	2.79



## Disclaimer

The information presented in thi