



BZT52C25S

Zener Diodes

Features

High reliability
Very sharp reverse characteristic
Low reverse current level
Zener Voltage 25V

Mechanical Data

Package: SOD-323

Terminals: Tin plated leads, solderable per
J-STD-002 and JESD22-B102

Polarity: Cathode line denotes the cathode end

Maximum Ratings ($T_a=25$ Unless otherwise specified)

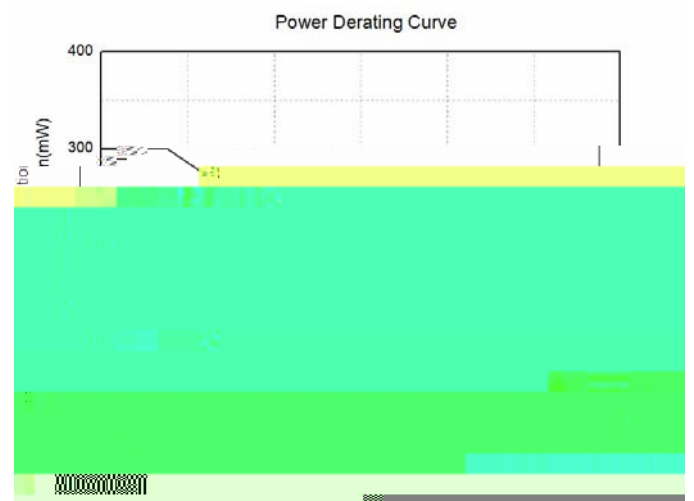
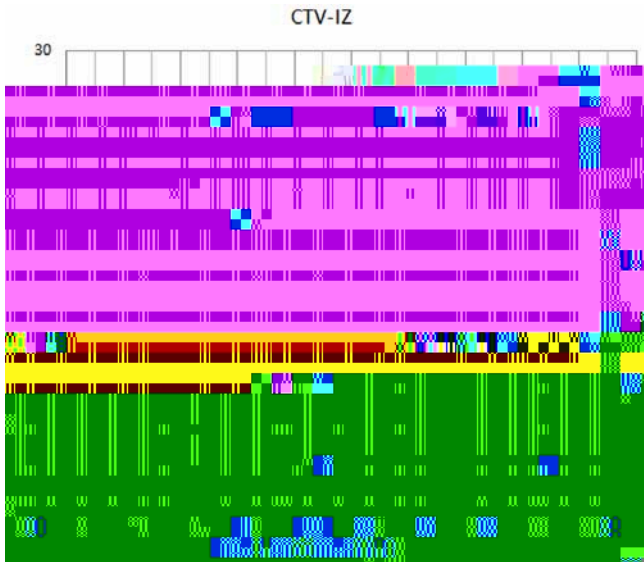
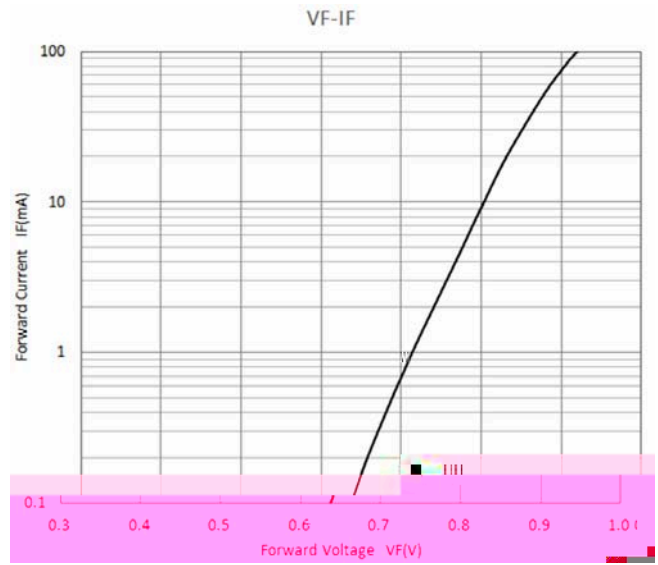
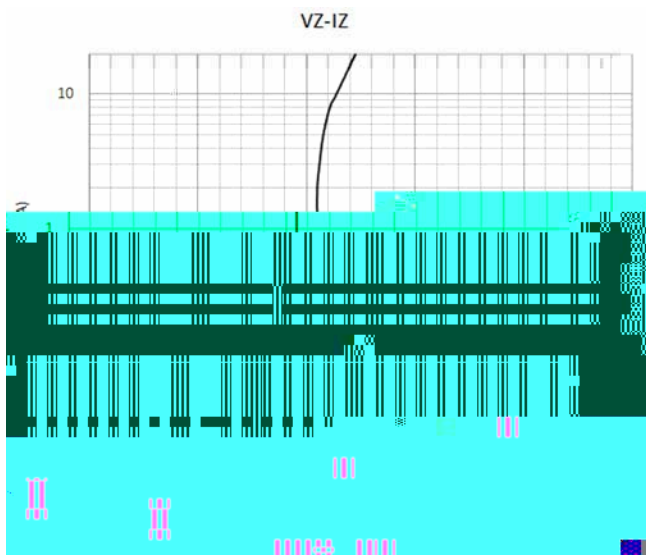
PARAMETER	SYMBOL	UNIT	VALUE
Power Dissipation (*Note)	P_D	mW	300
Storage Temperature Range	T_{stg}	°C	-55~+150
Junction Temperature	T_J	°C	-55~+150
Maximum Regulator Current	I_{ZM}	mA	P_D / V_z

I



BZT52C25S

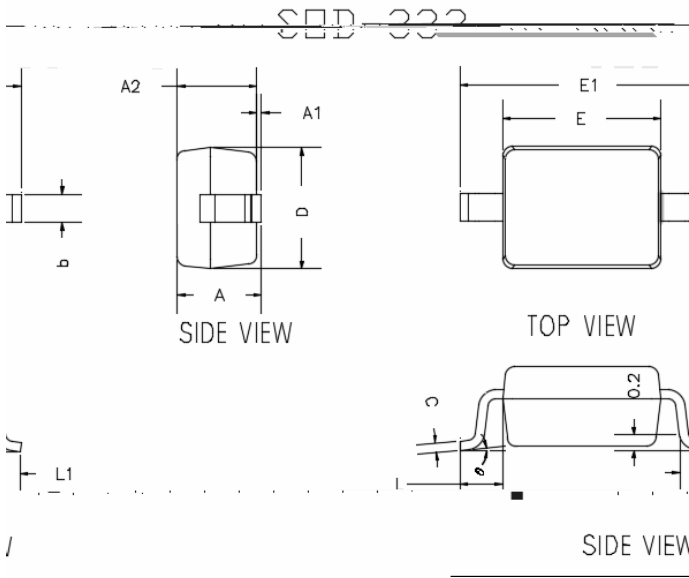
Characteristics (Typical)





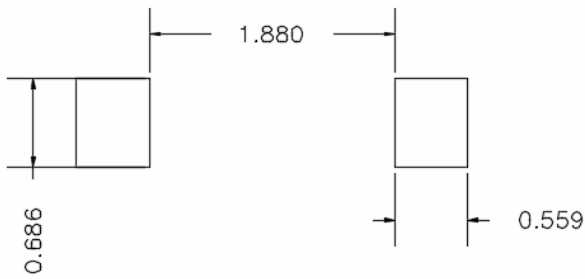
BZT52C25S

Outline Dimensions



DIMENSIONS				
DIM	INCHES		MM	
	MIN	MAX	MIN	MAX
A	---	0.0393	---	1.0000
A1	0.0000	0.0039	0.0000	0.1000
A2	0.0314	0.0354	0.8000	0.9000
b	0.0098	0.0157	0.2500	0.4000
E	0.0472	0.0551	1.2000	1.4000
E1	0.0394	0.0463	2.5000	2.7000
L	0.0187TYP		0.475*TYP	
L1	0.0098	0.0157	0.250	0.400
ø	0.0078	0.0118	0.200	0.300

Soldering Footprint



UNIT: mm

~~SUGGESTED SOLDER PAD LAYOUT~~

BZT52C25S

S

Y R