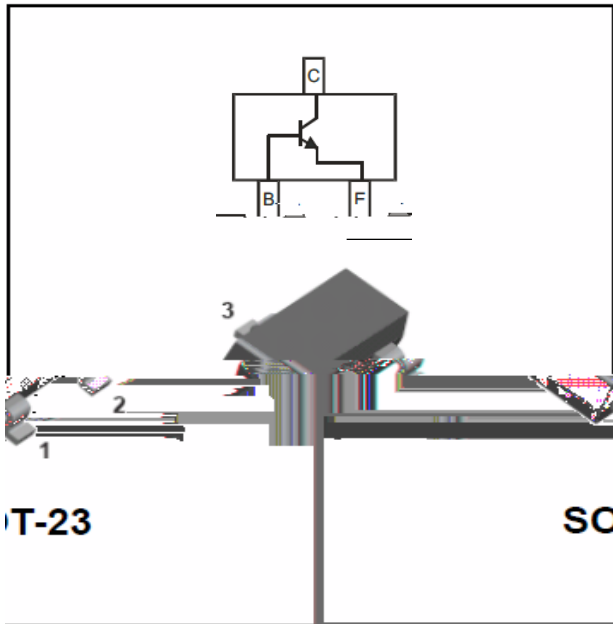


## NPN Transistor



### Features

- Epoxy meets UL-94 V-0 flammability rating
- Halogen free available upon request by adding suffix "HF"
- Moisture Sensitivity Level 1
- High Conductance
- Surface mount package ideally Suited for Automatic Insertion

### Mechanical Data

- Package:** SOT-23
- Molding compound meets UL 94 V-0 flammability rating, RoHS-compliant, halogen-free
- Terminals:** Tin plated leads, solderable per J-STD-002 and JESD22-B102
- Marking:** 1P

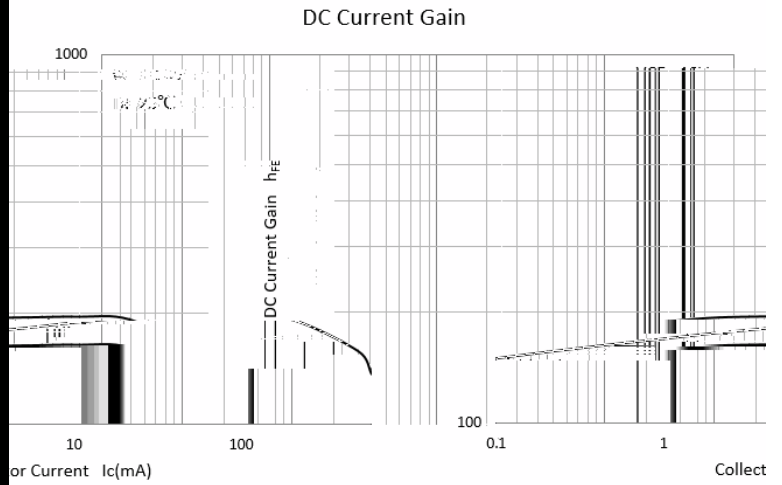
### Maximum Ratings (Ta=25 unless otherwise noted)

| Item                        | Symbol    | Unit | Value       |
|-----------------------------|-----------|------|-------------|
| Collector-Base Voltage      | $V_{CBO}$ | V    | 75          |
| Collector-Emitter Voltage   | $V_{CEO}$ | V    | 40          |
| Emitter-Base Voltage        | $V_{EBO}$ | V    | 6           |
| Collector Current           | $I_C$     | mA   | 600         |
| Collector Power Dissipation | C         | M    | -55 to +150 |
|                             |           |      |             |

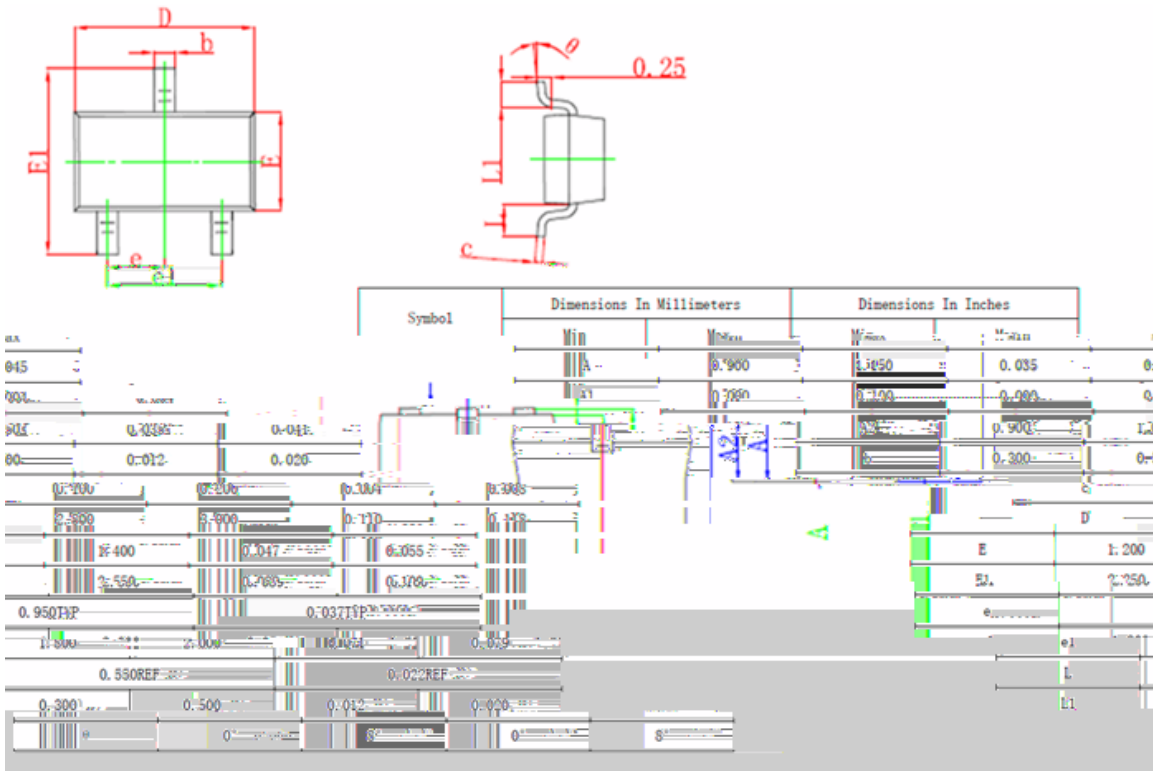




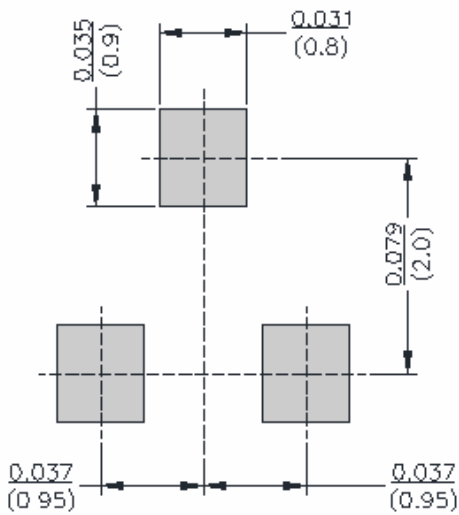
Characteristics (Typical)



## SOT-23 Package Outline Dimensions



## SOT-23 Soldering Footprint





---

**Disclaimer**

The information presented in this document is for reference only. Yangzhou Yangjie Electronic Technology Co., Ltd. reserves the right to make changes without notice for the specification of the products displayed herein to improve reliability, function or design or otherwise.

The product listed herein is designed to be used with ordinary electronic equipment or devices, and not designed to be used with equipment or devices which require high level of reliability and the malfunction of with would directly endanger

gem