

Dual PNP Small Signal Transistor



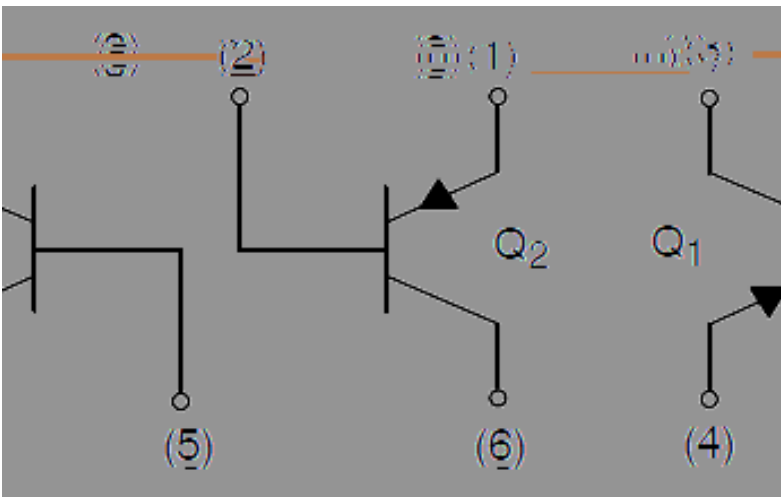
Features

- Epoxy meets UL-94 V-0 flammability rating
- Surface mount package ideally Suited for Automatic Insertion
- PNP

Mechanical Data

- Package:** SOT-363
- Terminals:** Tin plated leads, solderable per J-STD-002 and JESD22-B102
- Marking:** 5Ft

Equivalent circuit





BC856BS

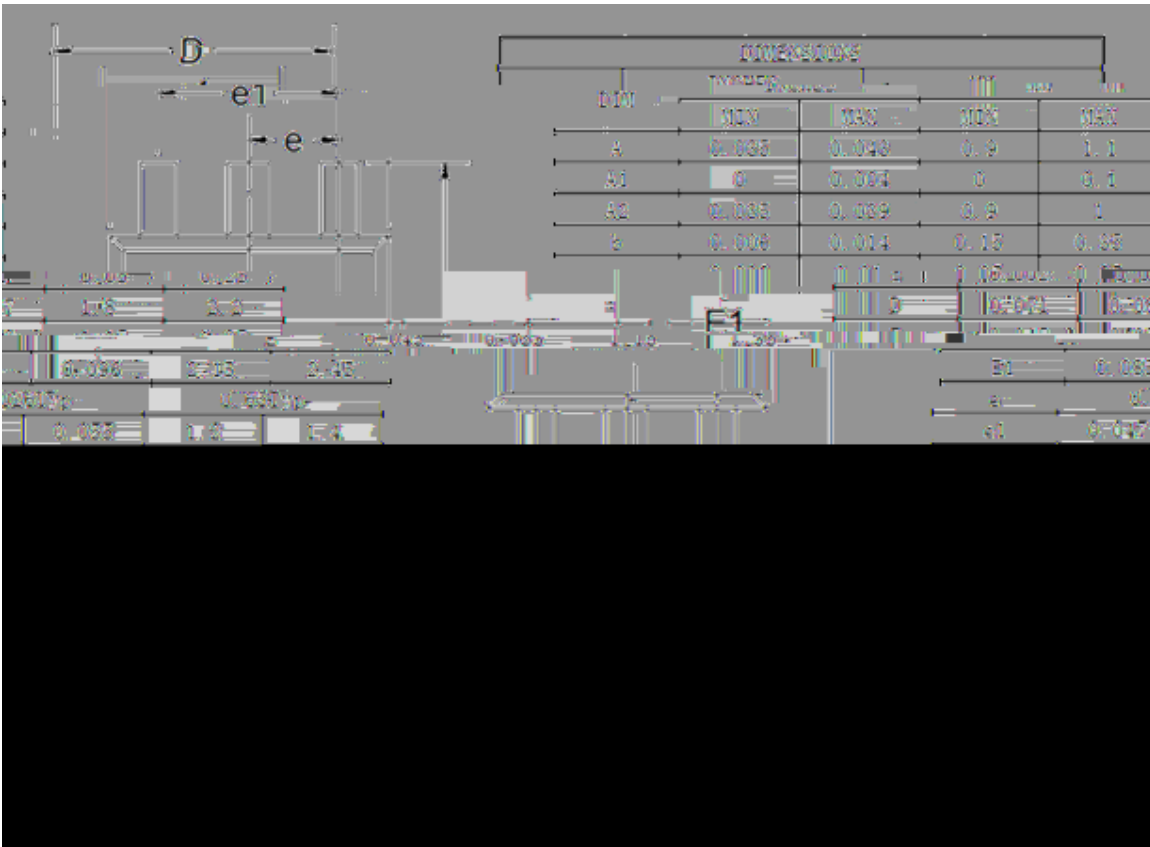
Maximum Ratings (Ta=25 Unless otherwise specified Å

Q1&Q2-PNP

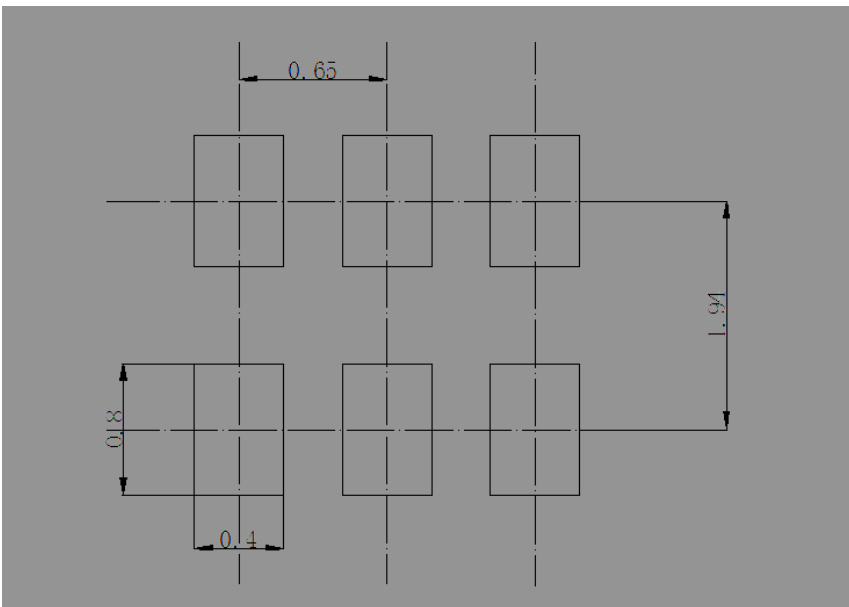
| Item | Symbol | Unit | Conditions | Value |
|---------------------------|--------|------|---------------|-------|
| Collector-Base Voltage | VCBO | V | IC=-10µA,IE=0 | -80 |
| Collector-Emitter Voltage | VCE0 | V | IC=-10mA,IB=0 | -80 |



SOT-363 Package Outline Dimensions



SOT-363 Suggested Pad Layout



Unit Ömm

