

Maximum Ratings

Item
Forward current (continuous)
Forward current (peak)
Reverse current (continuous)
Reverse current (peak)
Reverse voltage (continuous)
—

Notes:



BAS16T

Electrical Characteristics

Item	Symbol	Unit	Conditions	MIN	TYP	MAX
Ü^Ç^!•^ÁX[cæ*^Á	X ₀	X _A	QÜMF€€~CEÁ	i í Á	ÉÁ	ÉÁ
			Q ₀ MF { CEÁ	ÉÁ	ÉÁ	€€íFíÁ

Tæðá { ~ { Á Q } • cæ } cæ } ^ [~ • Á Ø [! , æ í á Á X [| cæ * ^ Á X₀ X_A

ÁGÁDÁ I A

ÉGFÁ

Yæ } * : @ [~ Á Yæ } * bá Á Ö | ^ & c ! [] á & Á V ^ & @ } [] .

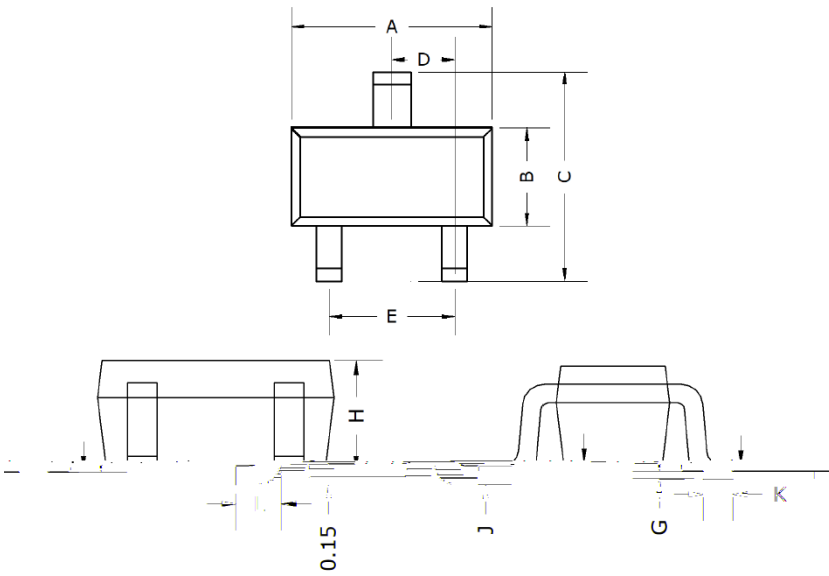
ŠcáÉÁ

ÉGF ^ æ } * bá ^ É & [{



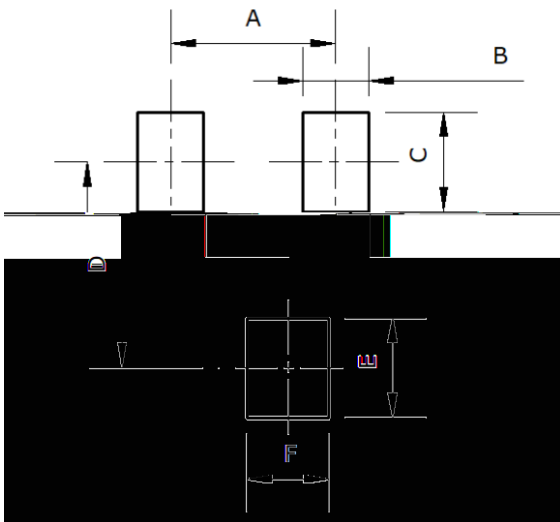
BAS16T

SOT-523 Package Outline Dimensions



DIMENSIONS				
DIM	INCHES		MM	
	MIN	MAX	MIN	MAX
A	0.059	0.067	1.50	1.70
B	0.030	0.033	0.75	0.85
C	0.057	0.069	1.45	1.75
D	0.020TYP		0.50TYP	
E	0.035	0.043	0.90	1.10
G	0.000	0.004	0.00	0.10
H	0.024	0.031	0.60	0.80
J	0.004	0.008	0.10	0.20
K	0.006	0.014	0.15	0.35

SOT-523 Suggested Pad Layout



DIMENSIONS	
DIM	MM (TYP)
A	1.00
B	0.40
C	0.60
D	1.24
E	0.50
F	F

ÁHÁDÁ I Á



Disclaimer