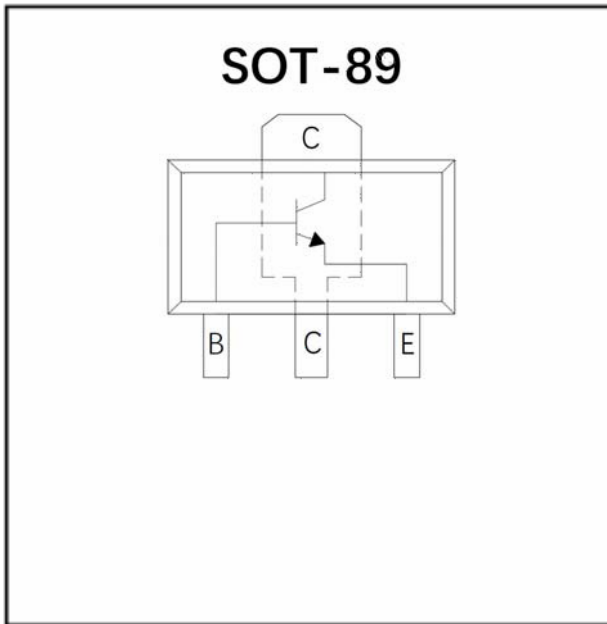


## NPN General Purpose Amplifier



### Features

- Epoxy meets UL-94 V-0 flammability rating
- Halogen free available upon request by adding suffix "HF"
- Moisture Sensitivity Level 1

### Mechanical Data

- Package:** SOT-89
- Molding compound meets UL 94 V-0 flammability rating, RoHS-compliant, halogen-free
- Terminals:** Tin plated leads, solderable per J-STD-002 and JESD22-B102
- Marking: 1G6

### Maximum Ratings (Ta=25 - unless otherwise noted)

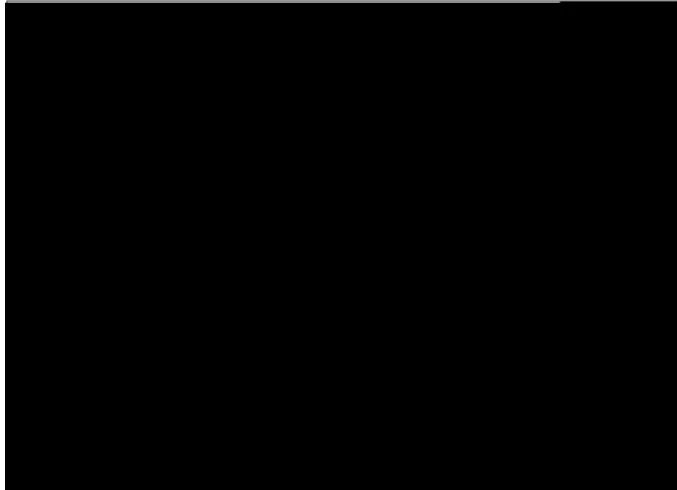
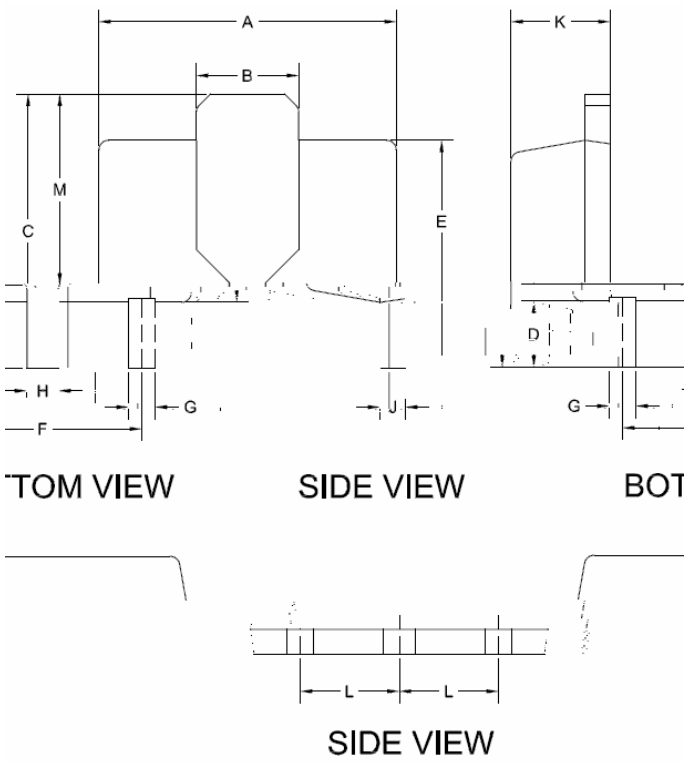
Item	Symbol	Unit	Conditions	Value
Minimum Collector-Emitter Voltage	$V_{CE0}$	V	$I_C=1mA, I_B=0$	160
Minimum Collector-Base Voltage	$V_{CB0}$	V	$I_C=100\mu A, I_E=0$	180
Minimum Emitter-Base Voltage	$V_{EB0}$	V	$I_E=10\mu A, I_C=0$	6
Collector Current	$I_C$	mA		600
Collector Power Dissipation	$P_C$	mW		500
Thermal Resistance From Junction To Ambient	$R_{JA}$	- /W		250
Operation Junction Temperature	$T_j$	-		-55 to +150
Storage Temperature	$T_{stg}$	-		-55 to +150

**CXT5551**

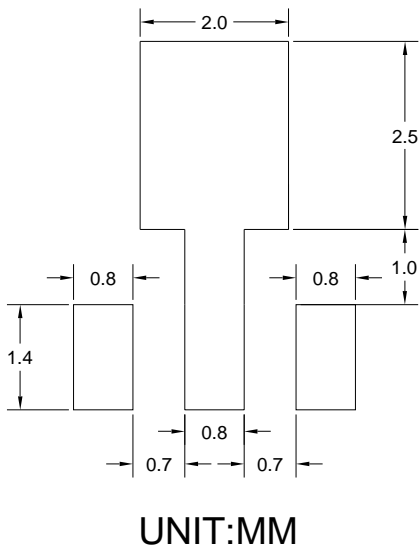




SOT-89 Package Outline Dimensions



SOT-89 Suggested Pad Layout





## Disclaimer

The information presented in this document is for reference only. Yangzhou Yangjie Electronic Technology Co., Ltd. reserves the right to modify or discontinue the product without notice.

2