

SOD323

V_{RRM} 40V
 I_{FAV} 200mA
 Part no. with suffix "Q" means AEC-Q101 qualified

Mechanical Data

Case: SOD323
Terminals: Tin plated leads, solderable per J-STD-002 and JESD22-B102
Polarity: Cathode line denotes the cathode end
Marking: 43

Maximum Ratings ($T_a=25$ Unless otherwise specified \AA)

PARAMETER	SYMBOL	UNIT	CONDITIONS	VALUE
Repetitive Peak Reverse Voltage	V_{RRM}	V		40
Average Forward Current	I_{FAV}	mA		200
Peak Forward Surge Current	I_{FSM}	A	Square wave tp ≤ 10 ms	0.6
Power Dissipation	P_{tot}	mW		250
Thermal Resistance Junction To Ambient air	R_{thJA}	K/W		500
Junction Temperature	T_j			-55 to +150
Storage Temperature Range	T_{stg}			-55 to +150

Electrical Characteristics ($T_a=25$ Unless otherwise specified \AA)

	SYMBOL	UNIT	CONDITIONS	MIN	MAX
	V_F	V	$I_F=1$ mA		0.37
	V_F	V	$I_F=40$ mA		1
	I_R	μ A	$V_R=30$ V		0.5
Reverse Breakdown Voltage	V_{BR}	V	$I_R=10$ μ A	6	
					5
Reverse Recovery Time	t_{rr}	ns	$I_F=I_R=5$ mA, $I_{rr}=0.1I_R$, $R_L=100$		5



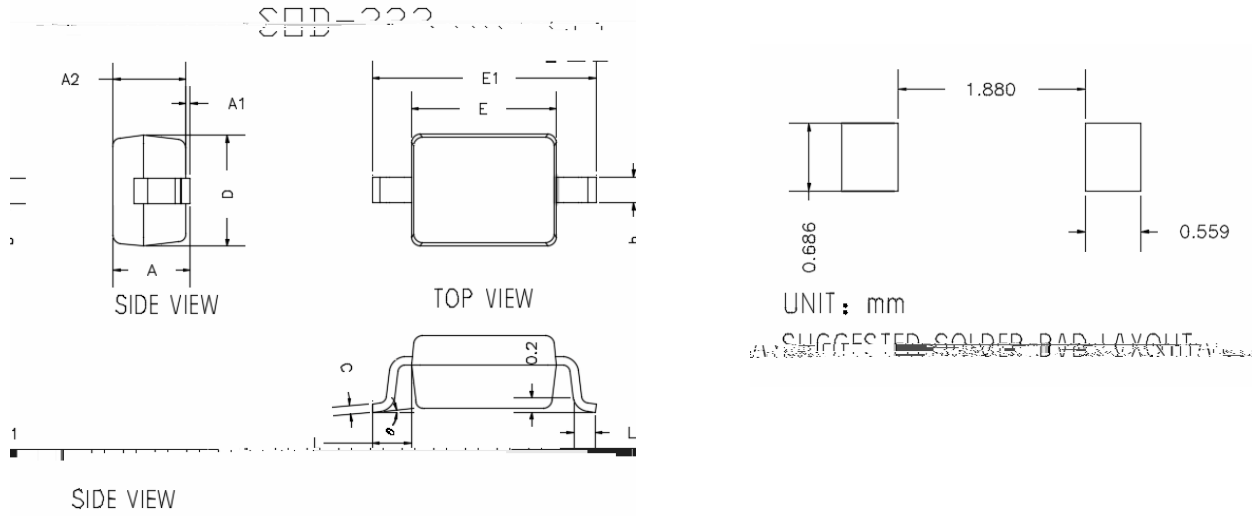
Ordering Information (Example)

PREFERRED P/N	PACKING CODE	
---------------	-----------------	--



BAS40WSQ

Outline Dimensions



DIMENSIONS				
DIM	INCHES		MM	
	MIN	MAX	MIN	MAX
A	---	0.0393	---	1.0000
A1	0.0000	0.0039	0.0000	0.1000
A2	0.0314	0.0354	0.8000	0.9000
b	0.0098	0.0157	0.2500	0.4000
E	0.0472	0.0551	1.2000	1.4000
E1	0.0984	0.1063	2.5000	2.7000
L	0.0187TYP		0.475TYP	
L1	0.0098	0.0157	0.250	0.400
θ	C*		C*	

Marking Information



Note:

1. All marking is at middle of the product body
2. All marking is in laser marking
3. Body color: Black

BAS40WSQ

Disclaimer

The information presented in this document is for reference only. Yangzhou Yangjie Electronic Technology Co., Ltd. reserves the right to make changes without notice for the specification of the products displayed herein to improve reliability, function or design or otherwise.

The product listed herein is designed to be used with automotive electronics. It is not designed for use in medical, life saving, lifesustaining, or military. Yangjie or anyone on its behalf, assumes no responsibility or liability for any damages resulting from such improper use of sale.

This publication supersedes & replaces all information previously supplied. For additional information, please visit our website [http:// www.21yangjie.com](http://www.21yangjie.com) , or consult your nearest Yangjie's sales office for further assistance.