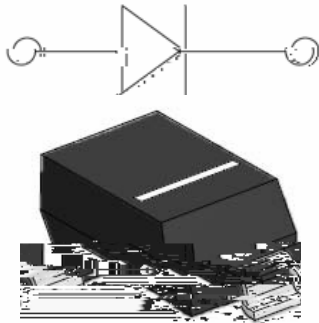


High Speed Switching Diode



SOD323

Features

- Epoxy meets UL-94 V-0 flammability rating and halogen free
- Moisture Sensitivity Level 1
- V_{RRM} 100V
- I_{FAV} 250mA
- Part no. with suffix "Q" means AEC-Q101 qualified

Applications

- Extreme fast switches
- Automotive

Mechanical Data

- Case:** SOD323
- Terminals:** Tin plated leads, solderable per J-STD-002 and JESD22-B102
- Polarity:** Cathode line denotes the cathode end
- Marking:** A6

Maximum Ratings ($T_a=25$ Unless otherwise specified)

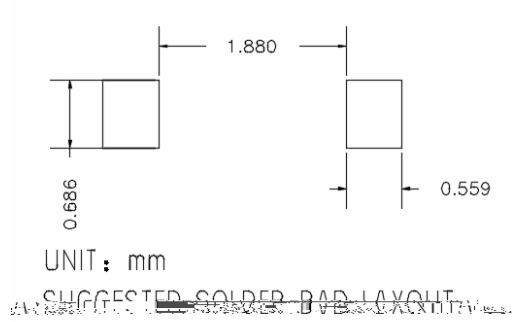
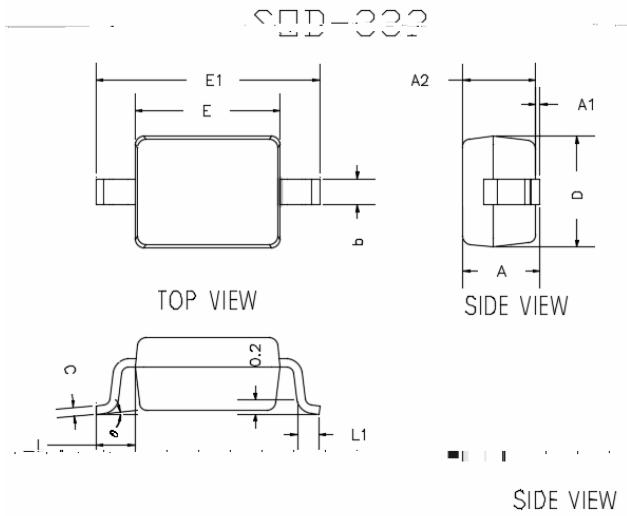
PARAMETER	SYMBOL	UNIT	NIEN
	U	U	U
	U	mA	250
Peak Forward Surge Current	I_{FSM}	A	$t_p=1\mu s$ 2
Power Dissipation	P_{tot}	mW	200
Thermal Resistance Junction To Ambient air	R_{thJA}	K/W	625
Junction Temperature	T_j		-55 to +150
Storage Temperature Range	T_{stg}		-55 to +150

CARTO
EYE



BAS316Q

Outline Dimensions



DIMENSIONS				
DIM	INCHES		MM	
	MIN	MAX	MIN	MAX
A	---	0.0393	---	1.0000
A1	0.0000	0.0039	0.0000	0.1000
A2	0.0314	0.0354	0.8000	0.9000
b	0.0098	0.0157	0.2500	0.4000
c	0.0081	0.0151	0.0800	0.1500
D	0.0472	0.0551	1.2000	1.4000
E	0.0629	0.0729	1.6000	1.8000
E1	0.0984	0.1063	2.5000	2.7000
L	---	0.0187TYP	---	0.475TYP
L1	0.0098	0.0157	0.250	0.400
e	c*	8*	c*	8*

Marking Information

Note:
1. All marking is at middle of the product body



BAS316Q

Disclaimer

The information presented in this document is for reference only. Yangzhou Yangjie Electronic Technology Co., Ltd. reserves the right to make changes without notice to the specification of the products displayed herein to improve reliability, function, design or otherwise.

U

This publication supersedes or replaces all information previously supplied. For additional information, please visit our website [http:// www.21yangjie.com](http://www.21yangjie.com) , or consult your nearest Yangjie's sales office for further assistance.