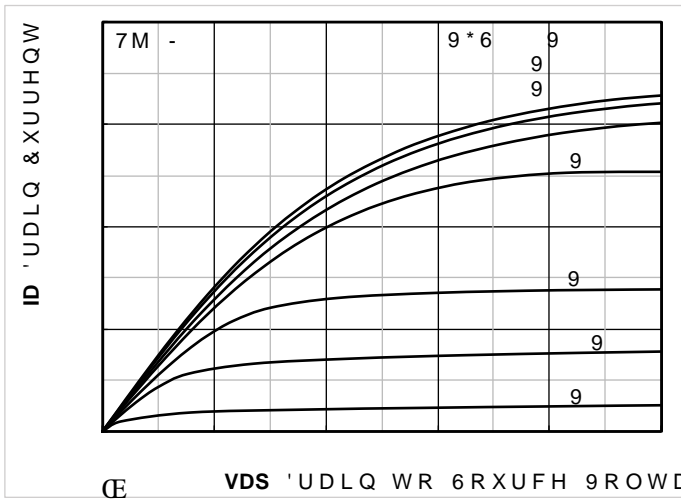




YJD017G10AHQ

Typical Electrical and Thermal Characteristics Diagrams

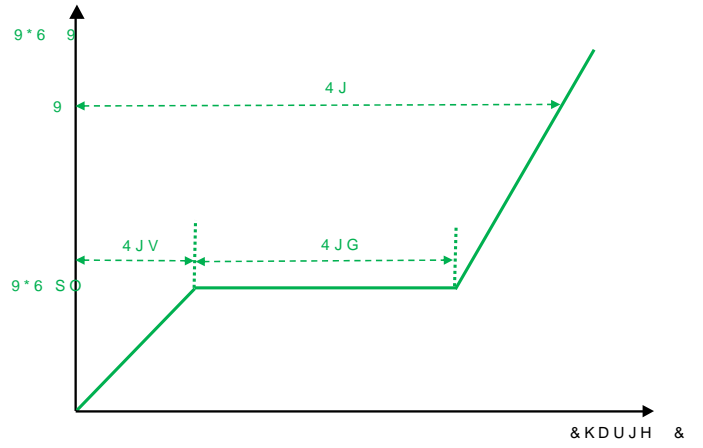
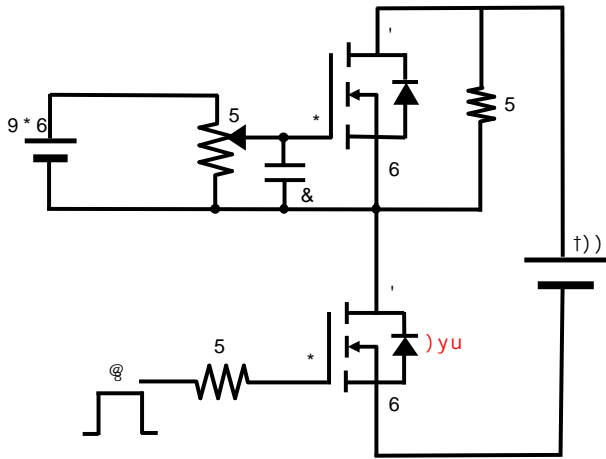




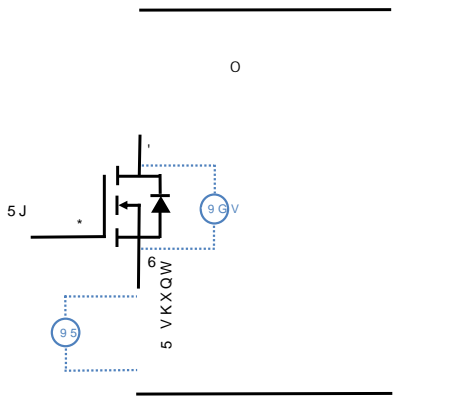
YJD017G10AHQ



YJD017G10AHQ



)LJXUH D%WH &KDUJHU F%VW & :DYHIRUP





vTO-252-B Package information

'0(16,216
 ,1&+(6
 120
 0,1
 6<0%2/
 \$
 \$
 \$
 E
 F
 .
 .
 (
 (

:56 </+=

9/*+ </+=

(5::53 </+=

