



N-Channel Enhancement Mode Field Effect Transistor

Product Summary

V_{DS}	60V
I_D	0.3A
$R_{DS(ON)}$ (at $V_{GS}=10V$)	2.5
$R_{DS(ON)}$ (at $V_{GS}=4.5V$)	3



2N7002KCT

Electrical Characteristics ($T_J=25$ unless otherwise noted)

Parameter	Symbol	
-----------	--------	--

[Redacted content]		
--------------------	--	--



2N7002KCT

Typical Electrical and Thermal Characteristics Diagrams

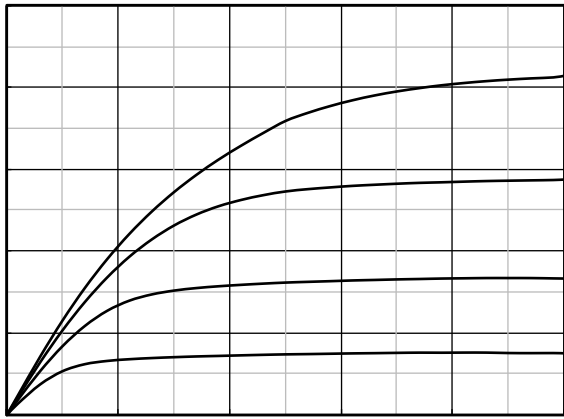


Figure 1. Output Characteristics

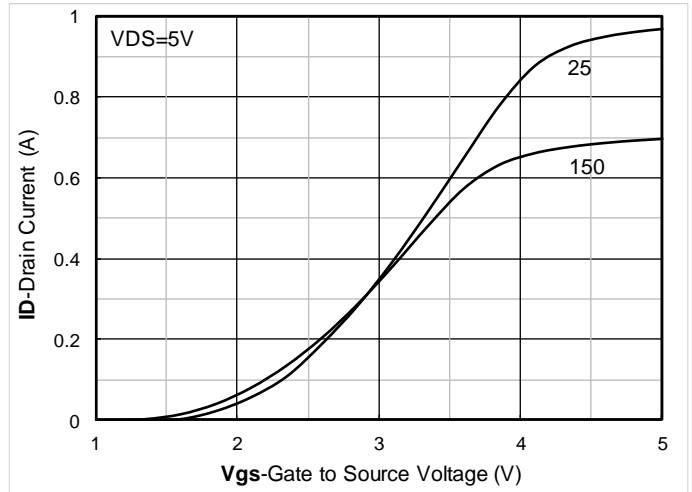


Figure 2. Transfer Characteristics

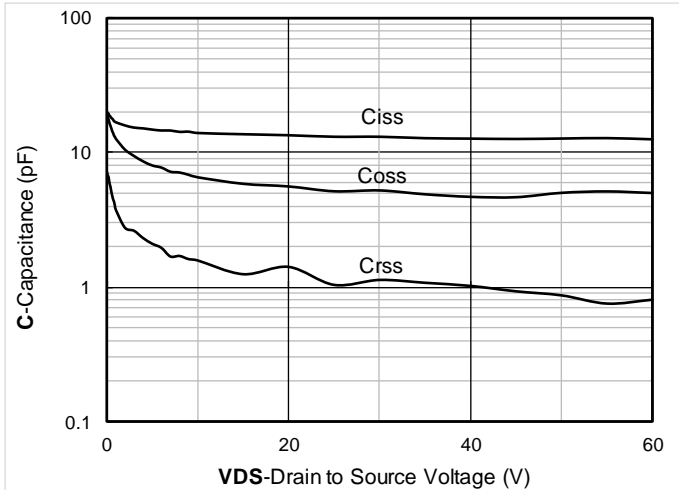


Figure 3. Capacitance Characteristics

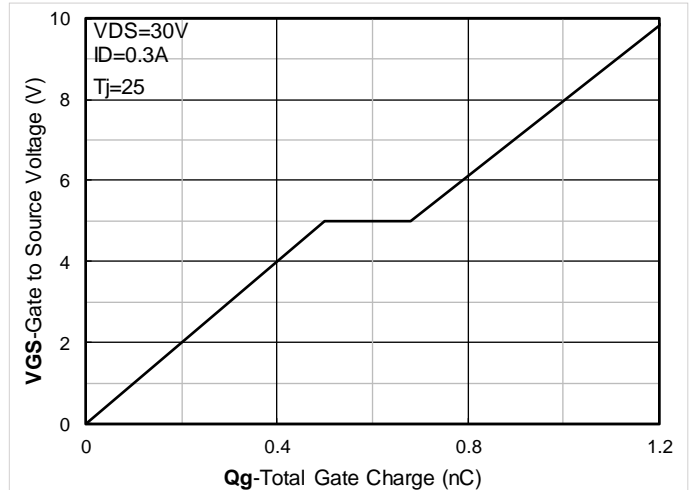


Figure 4. Gate Charge

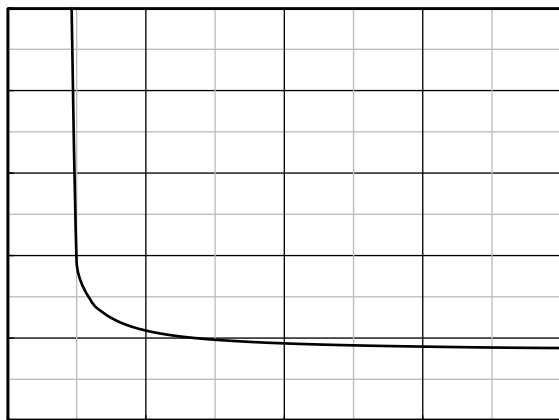


Figure 5. On-Resistance vs Gate to Source Voltage

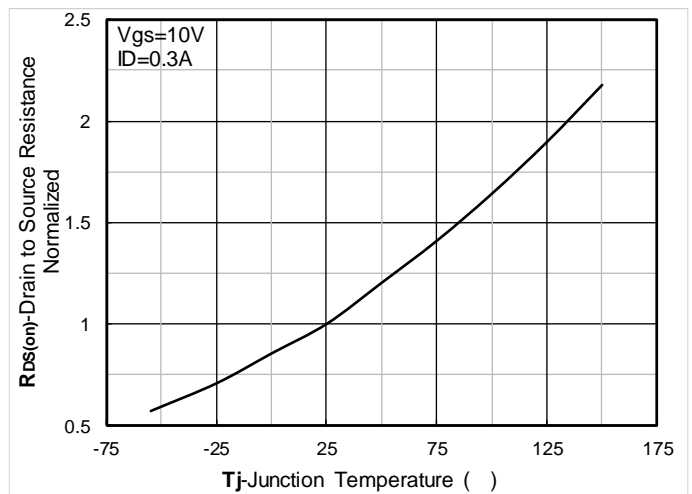


Figure 6. Normalized On-Resistance





Figure B. Gate Charge Test Circuit & Waveform

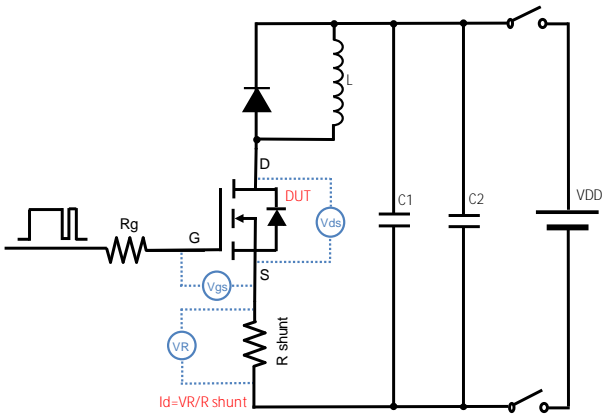


Figure C. Resistive Switching Test Circuit & Waveform

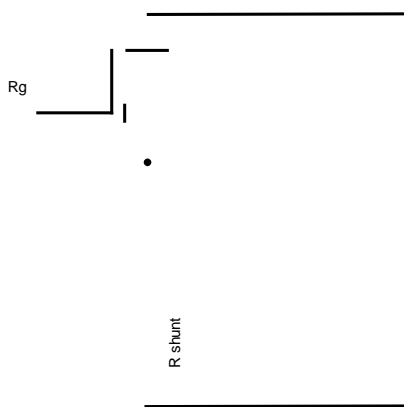
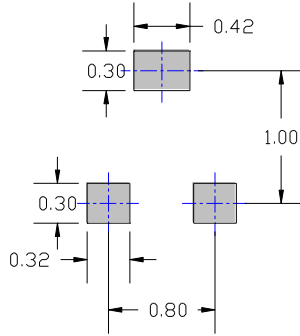
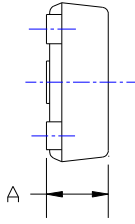
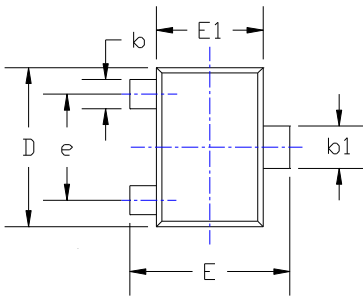


Figure D. Diode Recovery Test Circuit & Waveform



2N7002KCT

SOT-723 Package information



SYMBOL	MIN.	
	0.017	0.022
A1	0.000	0.002
		0
b1		
c		
D		
E1		
e		

NOTE:
1.PACKAGE BODY SIZES EXCLUDE MOLD FLASH AND GATE BURRS.
2.TOLERANCE 0.1mm UNLESS OTHERWISE SPECIFIED.
3.THE PAD LAYOUT IS FOR REFERENCE PURPOSES ONLY.

