

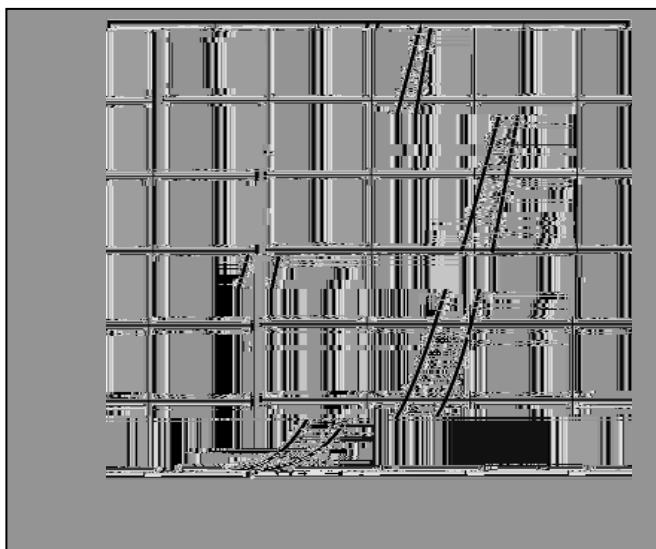
Maximum Ratings

Symbol	Conditions	Values	Units
V_R		600	V



Electrical Characteristics

Performance Curves



Fi

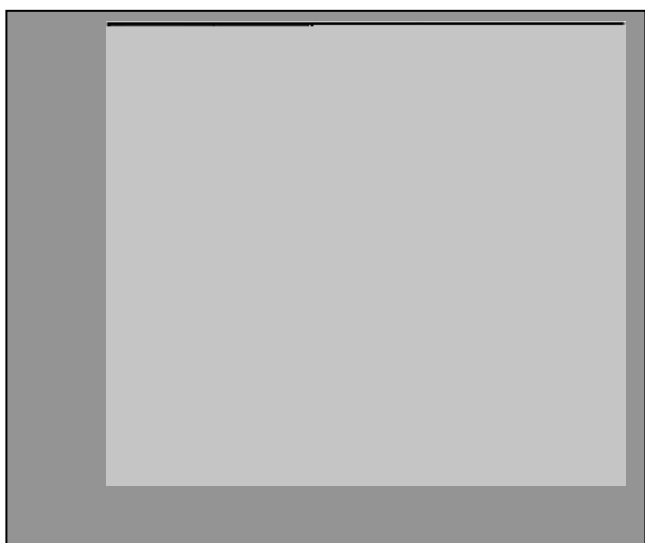


Fig3. Reverse Recovery Current vs di_F/dt

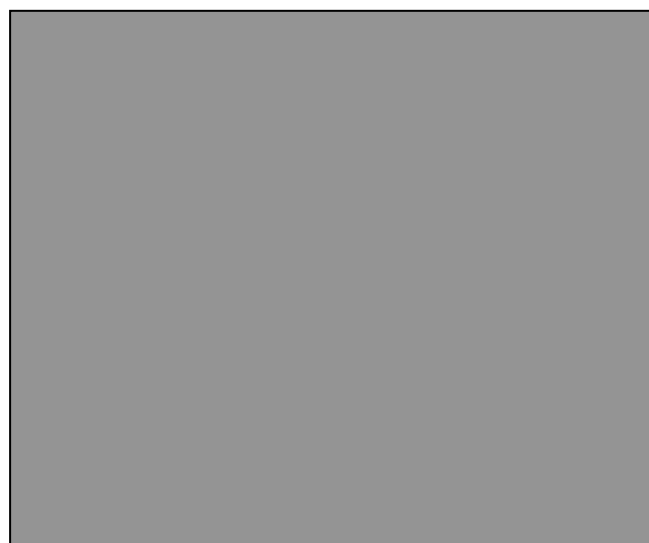
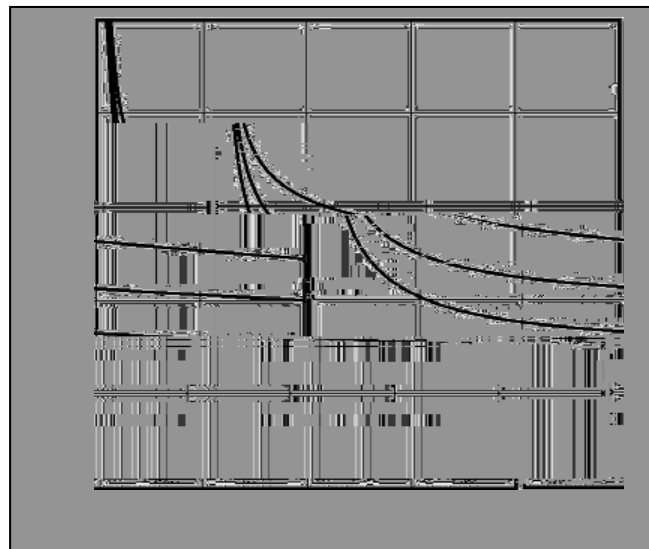
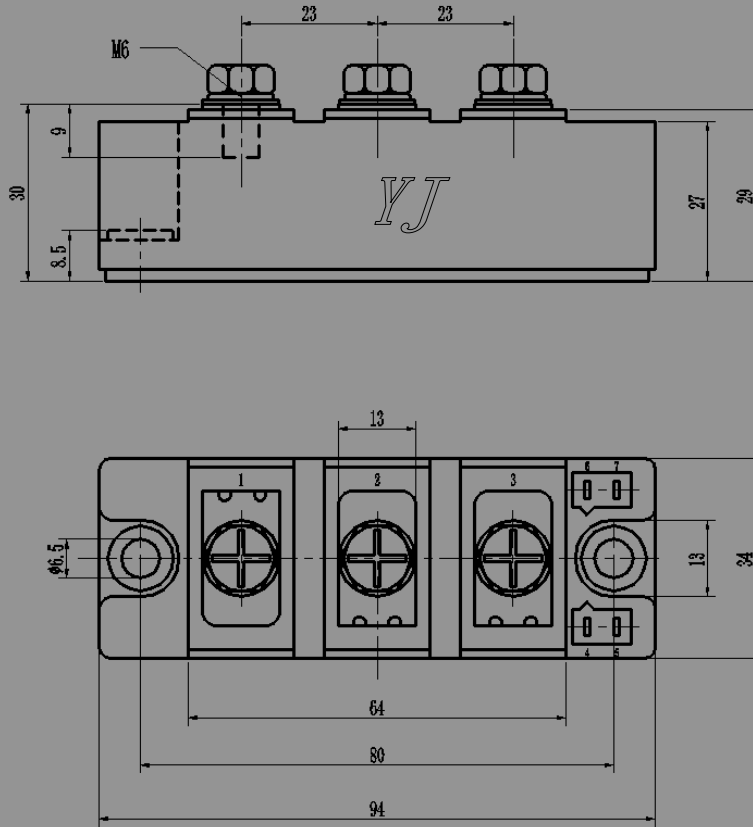


Fig4. Reverse Recovery Charge vs di_F/dt



Package Outline Information

CASE: F2



Dimensions in mm