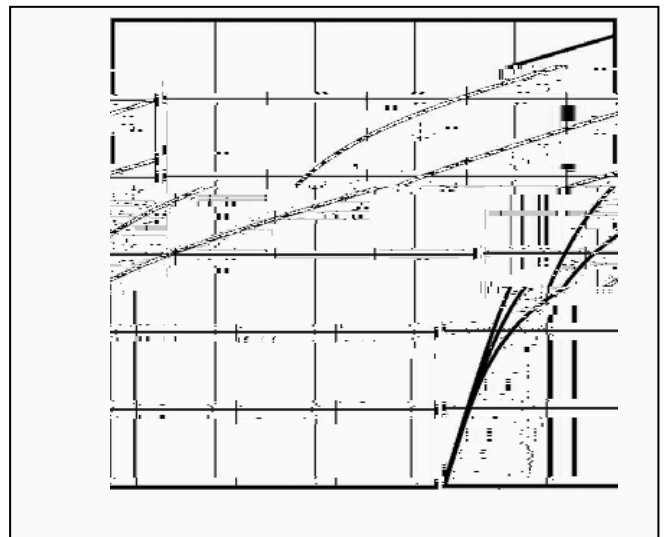
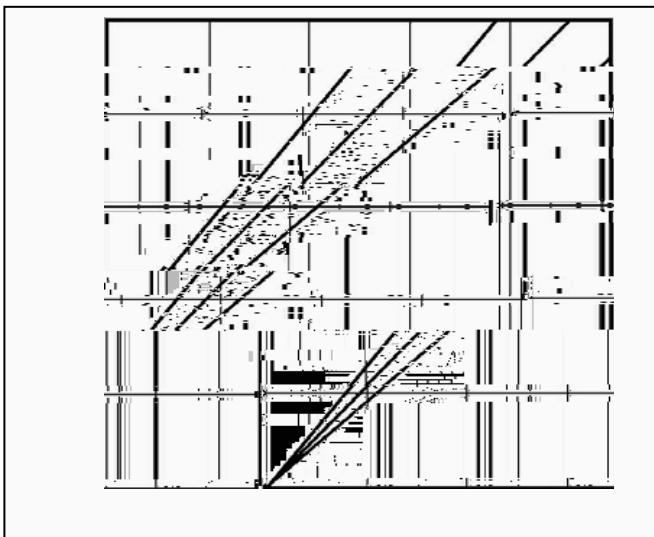




Maximum Ratings

Symbol	Conditions	Values	Units
V_R		600	V

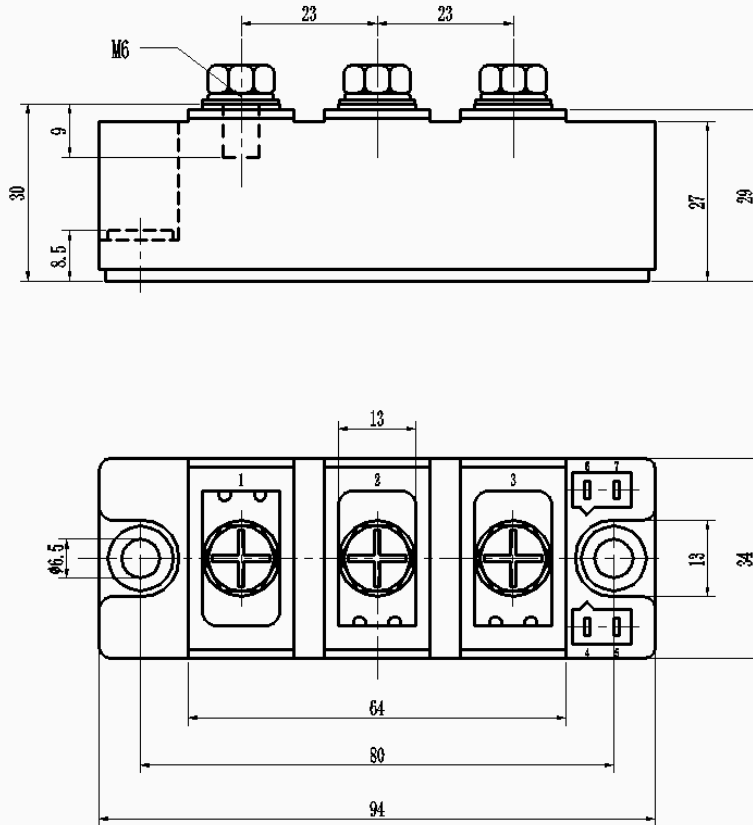
N·m
N·m





Package Outline Information

CASE: F2



Dimensions in mm