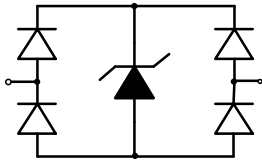


1- Line, Bi-directional, Ultra-low Capacitance Transient Voltage Suppressor



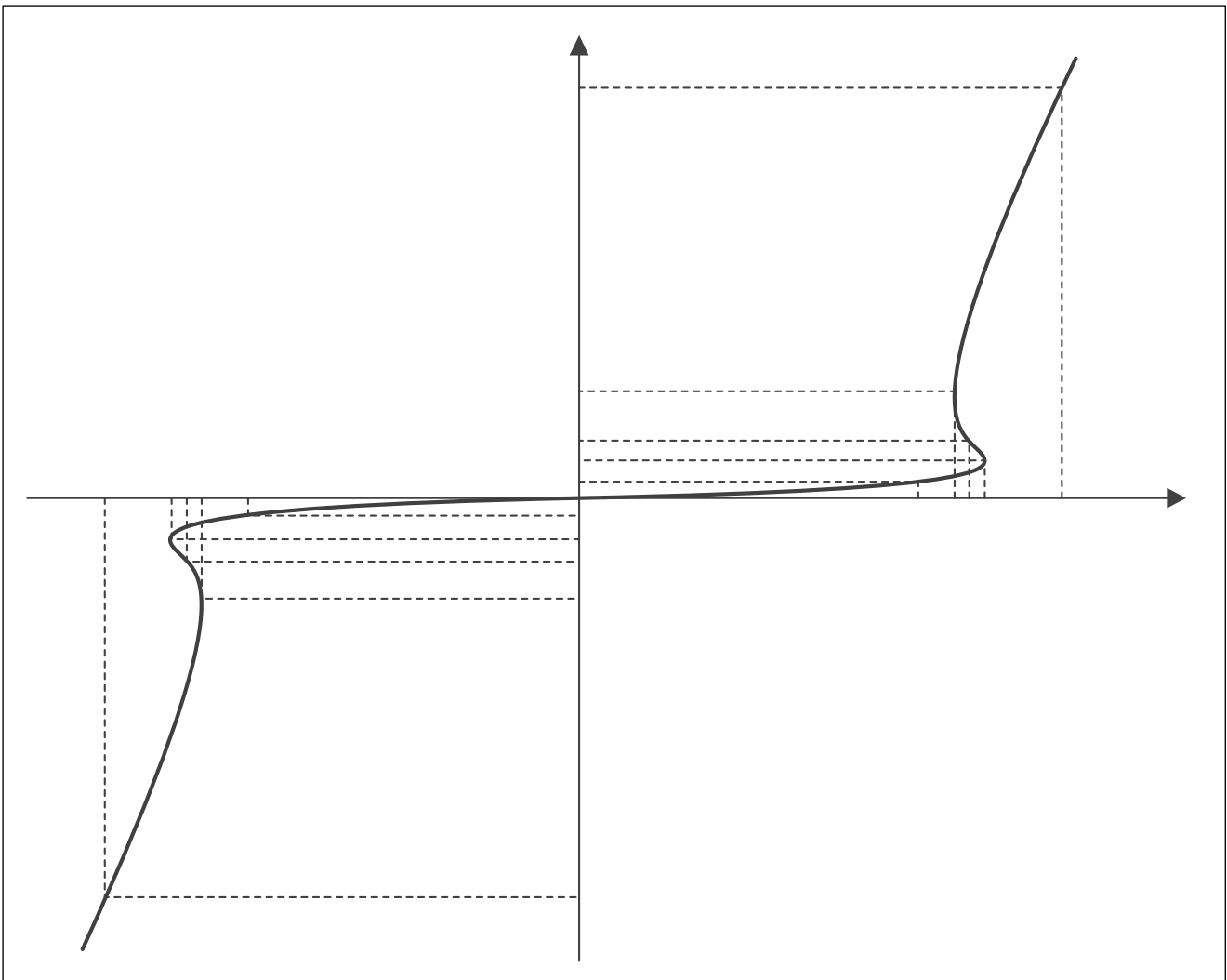
Features

- " Stand-off voltage: 5V Max
- " Transient protection for each line according to IEC61000-4-2(ESD): $\pm 30\text{kV}$ (contact)
- IEC61000-4-5(surge): 7A (8/20 s)
- " Ultra-low capacitance: $C_J = 0.8\text{pF}$ typ.
- " Low leakage current: $I_R < 1\text{nA}$ typ.
- " Low clamping voltage: $V_{CL} = 13.0\text{V}$ typ. @ $I_{PP} = 16\text{A}$ (TLP)
- " Solid-state silicon technology

Mechanical Data

- " Package : SOD323
- " Terminals : Tin plated leads, solderable per J-STD-002 and JESD22-B102
- " Polarity: Cathode line denotes the cathode end
- " Marking: 5TD

Definitions of electrical characteristics



ESDSL5V0D3BS

Maximum Ratings

PARAMETER	SYMBOL	LIMITS	UNIT
-----------	--------	--------	------

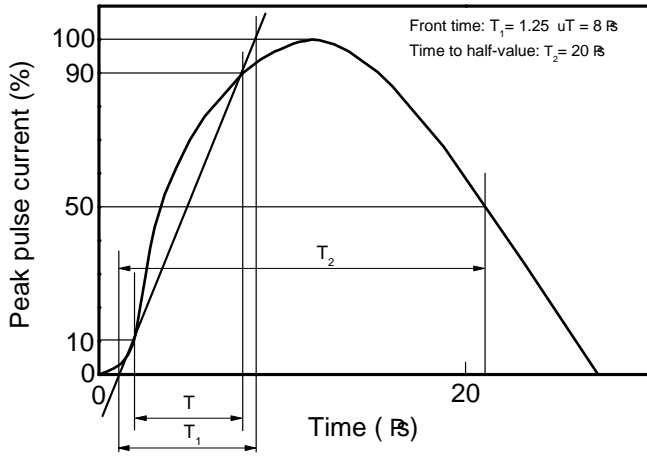
Peak pulse power ($t_p = 8/20$ s)

ESDSL5V0D3BS

vCharacteristics (Typical)

820 A waveform per IEC61000-4-5

Contact discharge current waveform per IEC61000-4-2



Clamping voltage vs. Peak pulse current

Capacitance vs. Reverse voltage

Non repetitive peak pulse power vs. Pulse time

Power derating vs. Ambient temperature

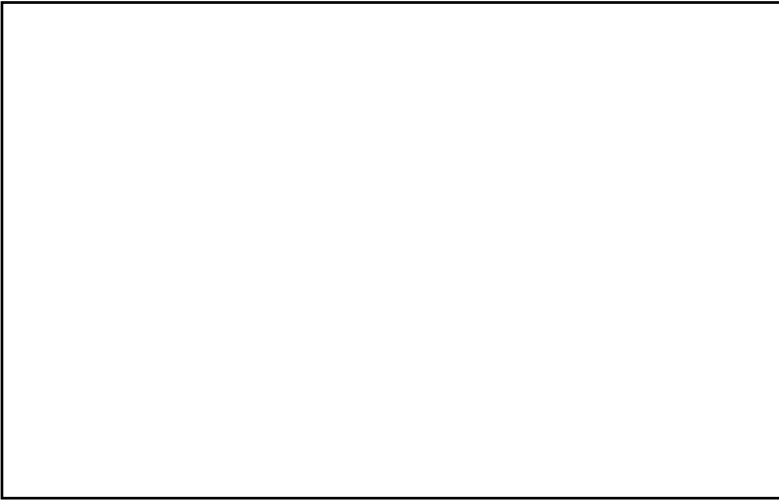
ESDSL5V0D3BS

ESDclamping

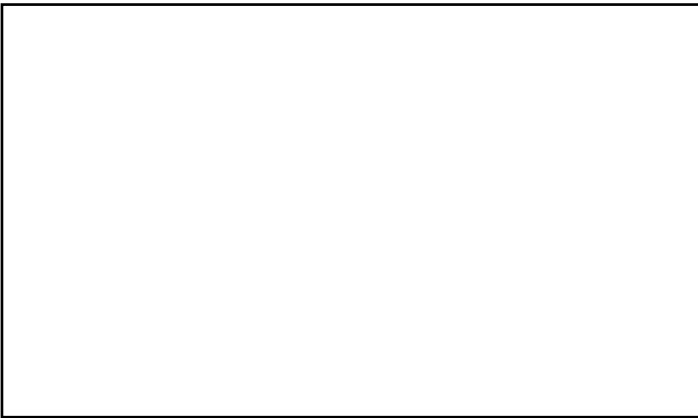
ESDclamping

ESDSL5V0D3BS

vOutline Dimensions



vSoldering Footprint



Unit : Inches

Disclaimer

The information presented in this document is for reference only. Yangzhou Yangjie Electronic Technology Co., Ltd. reserves the right to make changes without notice for the specification of the products displayed herein to improve reliability, function or design or otherwise.

The product listed herein is designed to be used with ordinary electronic equipment or devices, and not designed to be used with equipment or devices which require high level of reliability and the malfunction of which would directly endanger human life (such as medical instruments, transportation equipment, aerospace machinery, nuclear-reactor controllers, fuel controllers and other safety devices), Yangjie or anyone on its behalf, assumes no responsibility or liability for any damages resulting from such improper use of sale.

This publication supersedes & replaces all information previously supplied. For additional information, please visit our website [http:// www.21yangjie.com](http://www.21yangjie.com) , or consult your nearest Yangjie's sales office for further assistance.